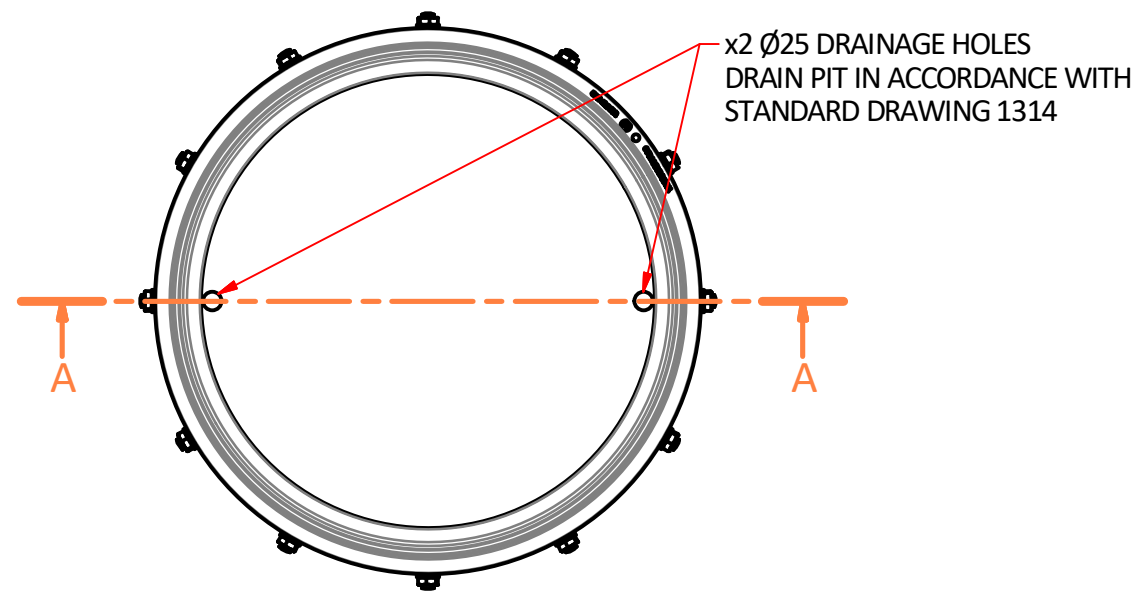
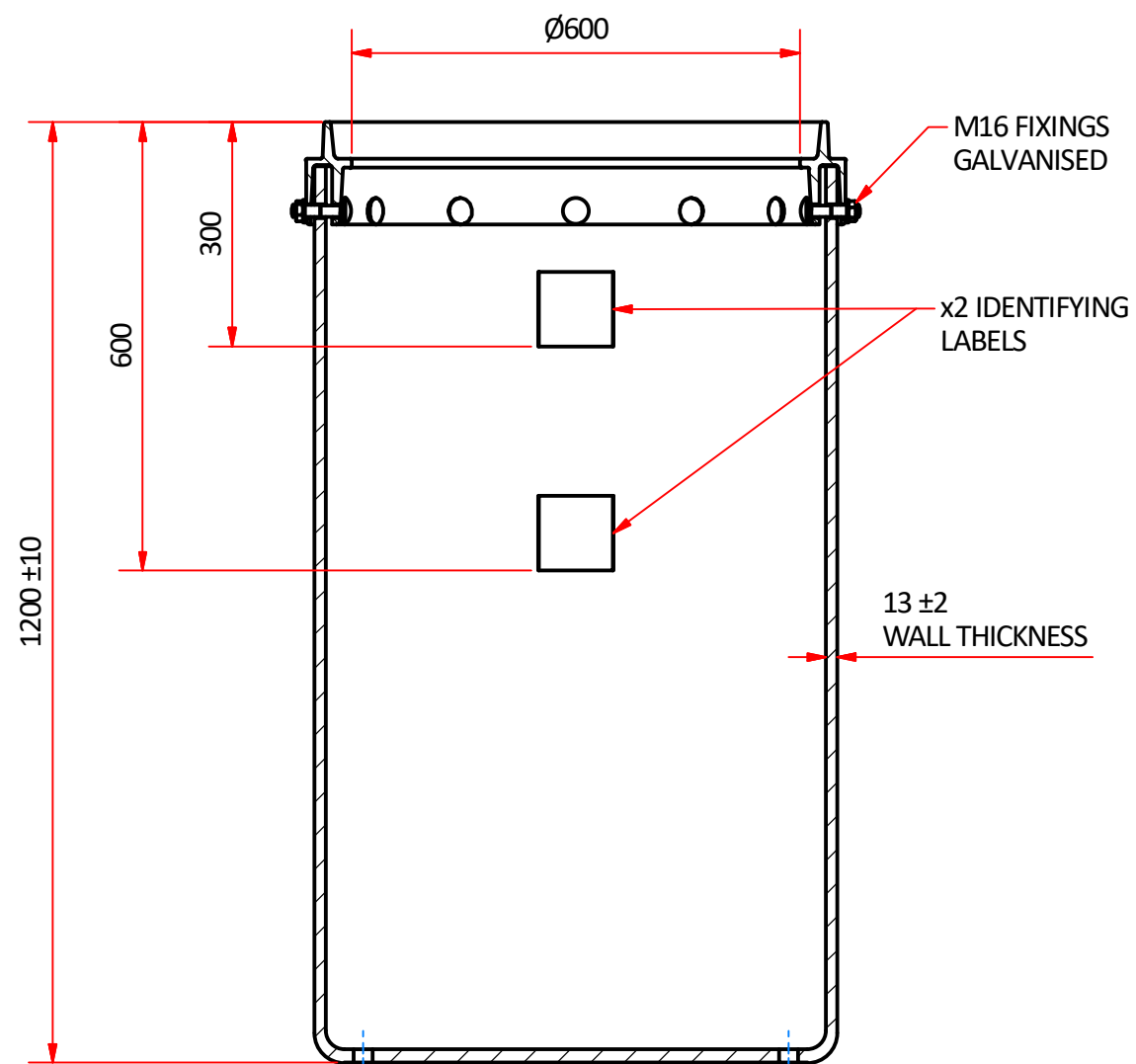


NOTES:

1. MADE TO QUEENSLAND MAIN ROADS SD1415,
2. WALL THICKNESS TO BE 13 ± 2 mm
3. THE HEIGHT SHALL BE 1200 ± 10 mm
4. PIT MEETS CLASS B LOAD RATING AS PER AS3996:2019
5. PIT ALSO AVAILABLE IN A 1000 mm DEEP OPTION
6. PIT TO BE FITTED WITH T60 CIRCULAR COLLAR CLASS B REFER TO TRI DRAWING 10408 & 11656
7. IDENTIFYING LABELS TO BE AT 300 mm AND 600 mm DOWN
8. COLLAR TO BE PLACED ON THE PIT PRIOR TO COMPACTION OF THE BACK FILL MATERIAL



PLAN VIEW (1:10)



A-A (1:10)

General Notes;

1. All dimensions are in mm
2. Tolerance on all dimensions ± 1 mm unless stated otherwise

Copyright: TRI Underground Australia Pty Ltd

This instruction and all the information herein is the property of TRI Underground PTY LTD. It must not be copied, made public or used directly or indirectly, including manufacture of the product shown herein, without written approval. This instruction is loaned subject to these conditions and subject to return on demand.

Commercial in confidence



Material
LDPE

Weight
APPROX. 35 kg

Finish
OFF MOULD

Designed by
IMD

Checked by
HL

Approved by
HA

Date
5/07/2022

Date
22/01/2022

TRI Underground Australia

Title
T60 CIRCULAR PIT 1200 mm HIGH

Dwg No.
13978

Edition
A

Sheet
1 / 1