

NOTES:

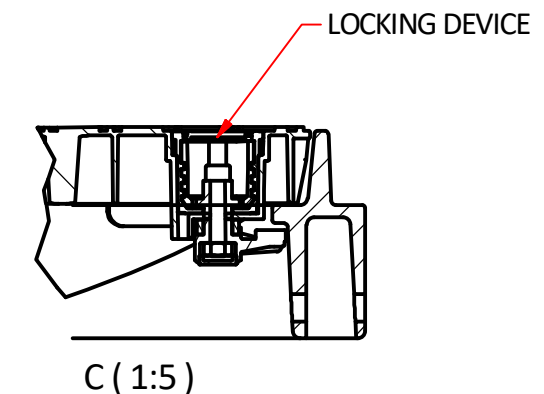
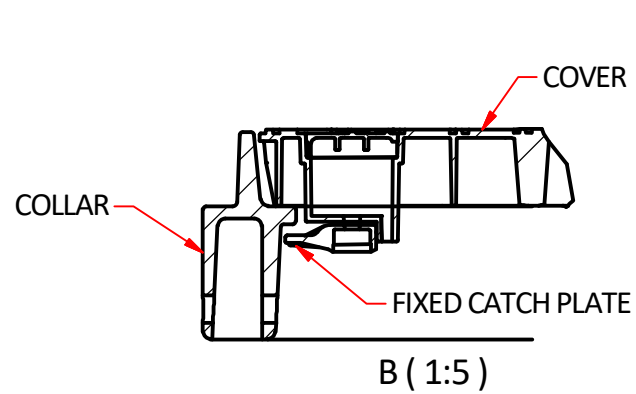
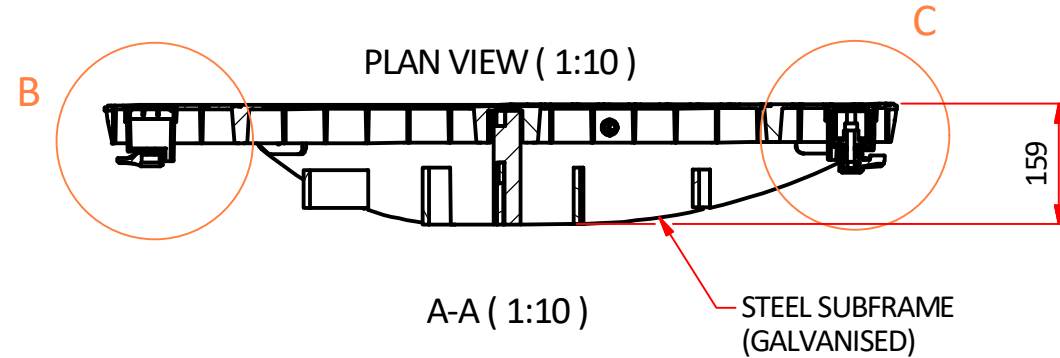
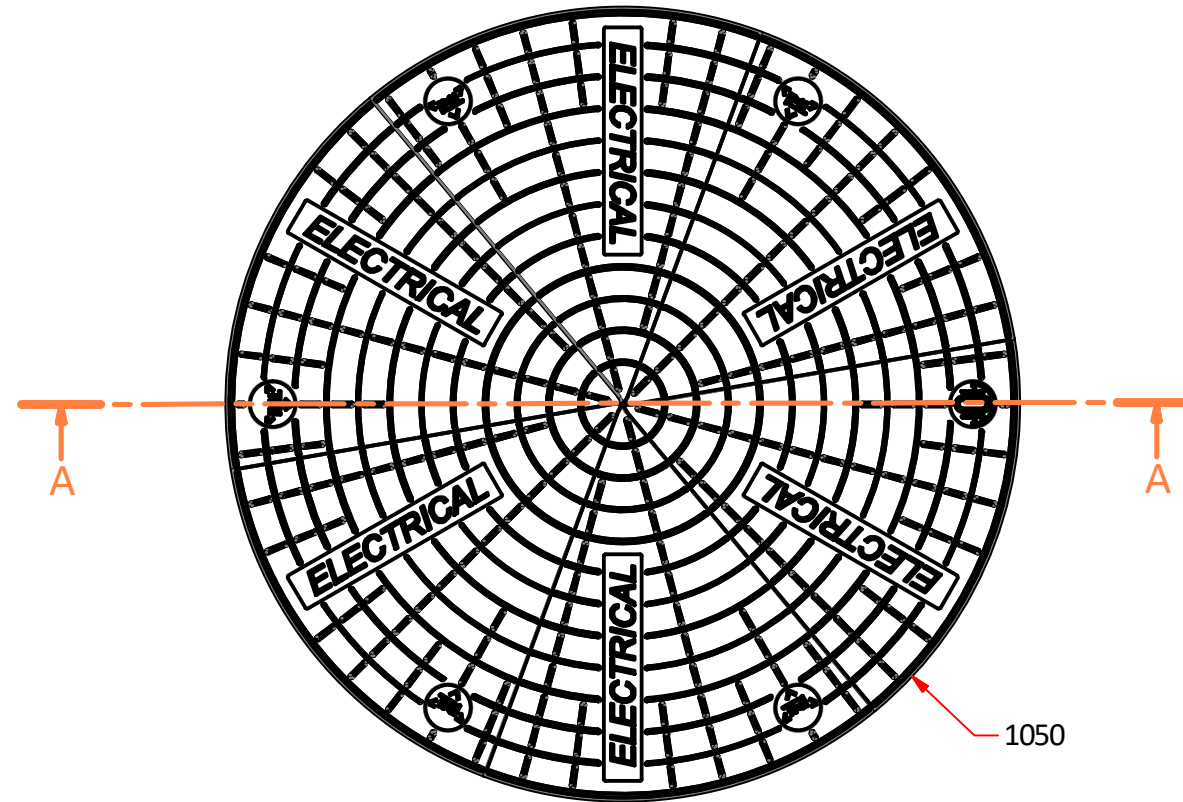
1. MADE TO QUEENSLAND MAIN ROADS MRTS91
2. CIRCULAR COVER TO MEET AS 3996:2019 CLASS B DESIGN LOAD AND THE REQUIREMENTS OF MRTS91
3. AVAILABLE IN ELECTRICAL 14906, COMMUNICATIONS 14907 & TRAFFIC SIGNAL (FOR ROADS AND MARITIME SERVICES & BRISBANE CITY COUNCIL REQUIREMENTS) 14908

COMMUNICATIONS

ELECTRICAL

TRAFFIC SIGNAL

VIEW ON
NAME PLATE OPTIONS
(1:5)



General Notes;

1. All dimensions are in mm
2. Tolerance on all dimensions ± 1 mm unless stated otherwise

Copyright: TRI Underground Australia Pty Ltd

This instruction and all the information herein is the property of TRI Underground PTY LTD. It must not be copied, made public or used directly or indirectly, including manufacture of the product shown herein, without written approval. This instruction is loaned subject to these conditions and subject to return on demand.

Commercial in confidence



Material
NYLON / STEEL
Weight
APPROX. 40 kg
Finish
OFF MOULD

Designed by
IMD

Checked by
HL

Approved by
HA

Date
5/07/2022

Date
22/01/2022

TRI Underground Australia

Title
T100 TRITUFF LID

Dwg No.
14906

Edition
A

Sheet
1 / 1