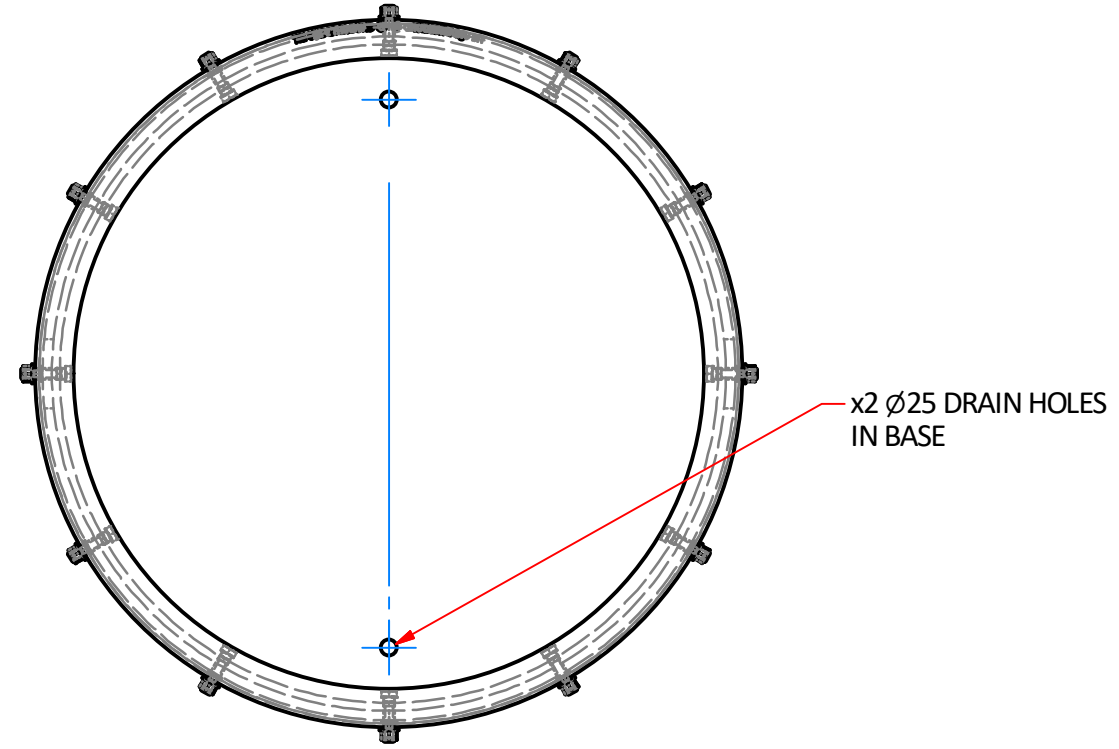
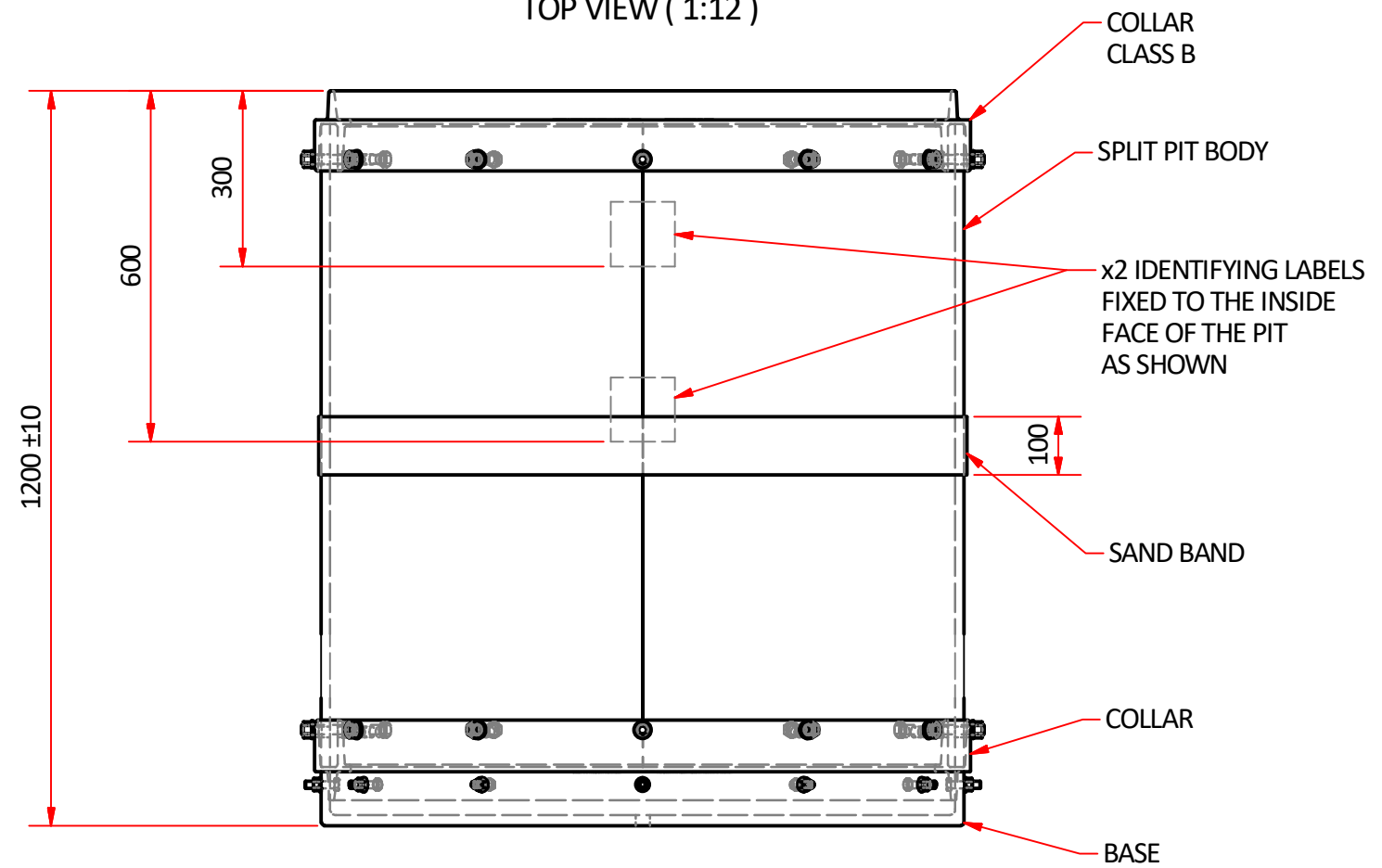


NOTES:

1. MADE TO QUEENSLAND MAIN ROADS MRTS91 AND SD1695
2. WALL THICKNESS TO BE 14 ± 2 mm
3. THE HEIGHT SHALL BE 1200 ± 10 mm
4. PIT MEETS CLASS B LOAD RATING AS PER AS3996:2019
5. PIT TO BE FITTED WITH T100 CIRCULAR COLLAR CLASS B
REFER TO TRI DRAWING 14841 AND T100 CLASS B COVER
REFER TO DWG 14906
6. IDENTIFYING LABELS TO BE AT 300 mm AND 600 mm DOWN
7. COLLAR TO BE PLACED ON THE PIT PRIOR TO COMPACTION
OF THE BACK FILL MATERIAL
8. WEIGHT SHOWN IS REFLECTIVE OF PIT AND COMPOSITE COLLAR



TOP VIEW (1:12)



FRONT VIEW (1:12)

Copyright: TRI Underground Australia Pty Ltd

This instruction and all the information herein is the property of TRI Underground PTY LTD. It must not be copied, made public or used directly or indirectly, including manufacture of the product shown herein, without written approval. This instruction is loaned subject to these conditions and subject to return on demand.

Commercial in confidence

	Material LDPE/POLYPROPYLENE	Designed by IMD	Checked by HL	Approved by HA	Date 20/07/2022	Date 20/01/2022
	Weight APPROX. 90 kg	TRI Underground Australia			Title T100 1.2 m SPLIT PIT -COMPOSITE COLLAR	
	Finish OFF MOULD				Dwg No. 14981	Edition A