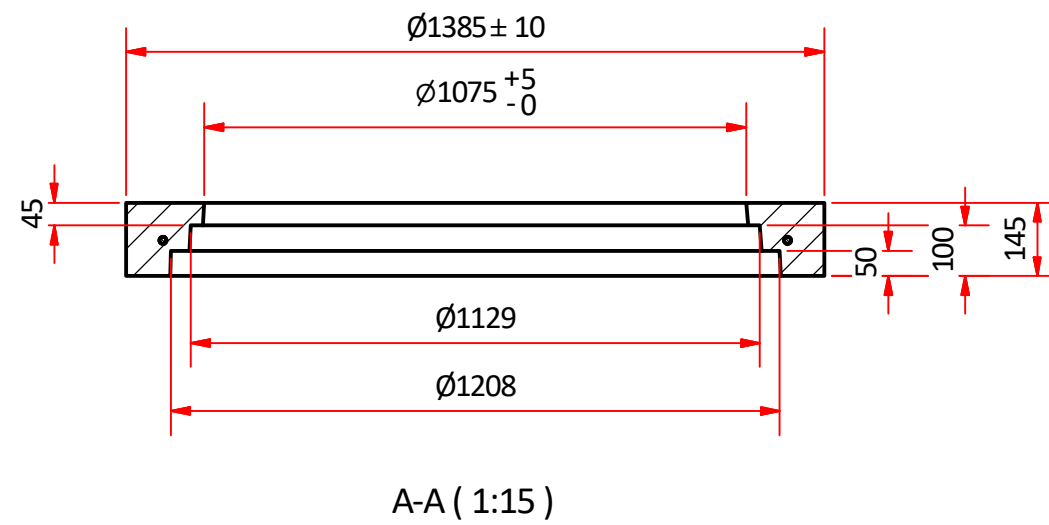
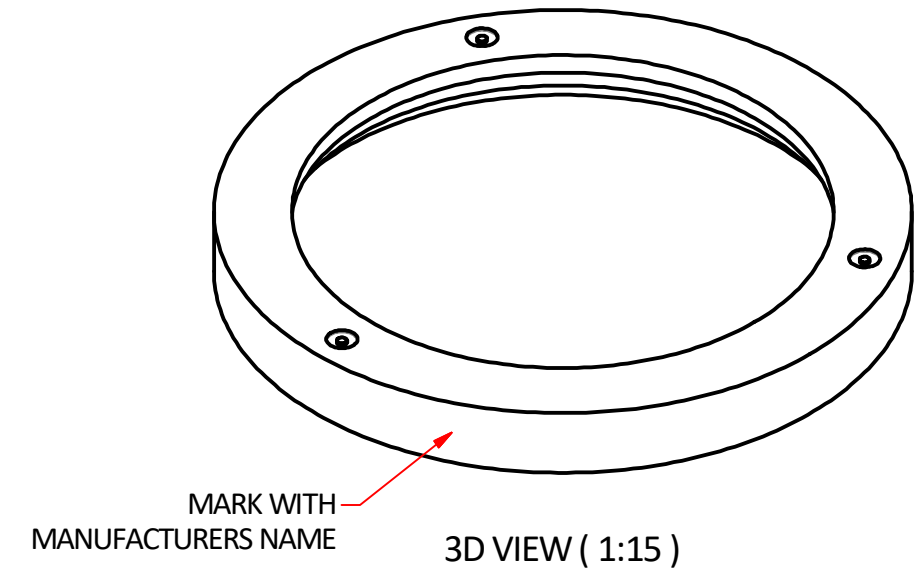
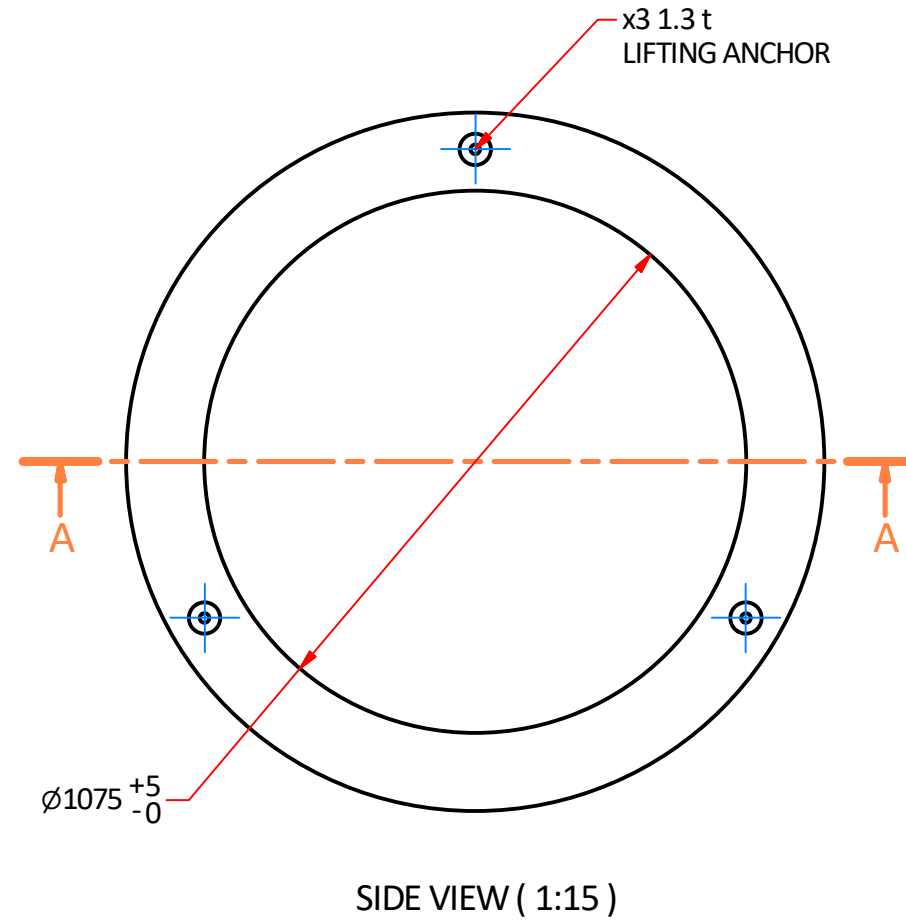


NOTES:

1. THIS DRAWING PROVIDES DETAIL OF A PRECAST CONCRETE SURROUND FOR CIRCULAR PIT TYPE 100
2. MADE TO QUEENSLAND MAIN ROADS SD1685
3. MADE WITH 40 MPa CONCRETE
4. REINFORCEMENT STEEL SHALL BE IN ACCORDANCE WITH AS4671 AND MRTS71
5. PRECAST COMPONENTS TO BE INSTALLED IN ACCORDANCE WITH MANUFACTURER'S SPECIFICATIONS



General Notes;

1. All dimensions are in mm
2. Tolerance on all dimensions ± 3 mm unless stated otherwise

Copyright: TRI Underground Australia Pty Ltd

This instruction and all the information herein is the property of TRI Underground PTY LTD. It must not be copied, made public or used directly or indirectly, including manufacture of the product shown herein, without written approval. This instruction is loaned subject to these conditions and subject to return on demand.

Commercial in confidence

	Material CONCRETE	Designed by IMD	Checked by HL	Approved by HA	Date 23/03/2022	Date 22/02/2022
	Weight APPROX. 165 kg	TRI Underground Australia			Title CONCRETE SURROUND TYPE 100	
	Finish OFF MOULD				Dwg No. 14997	Edition A