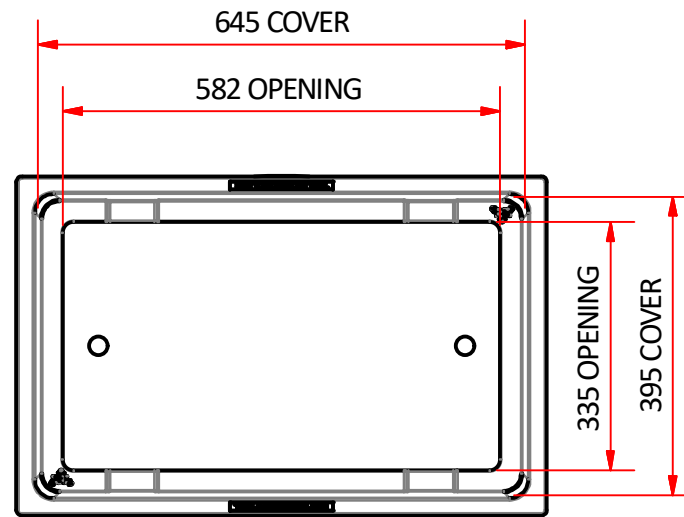
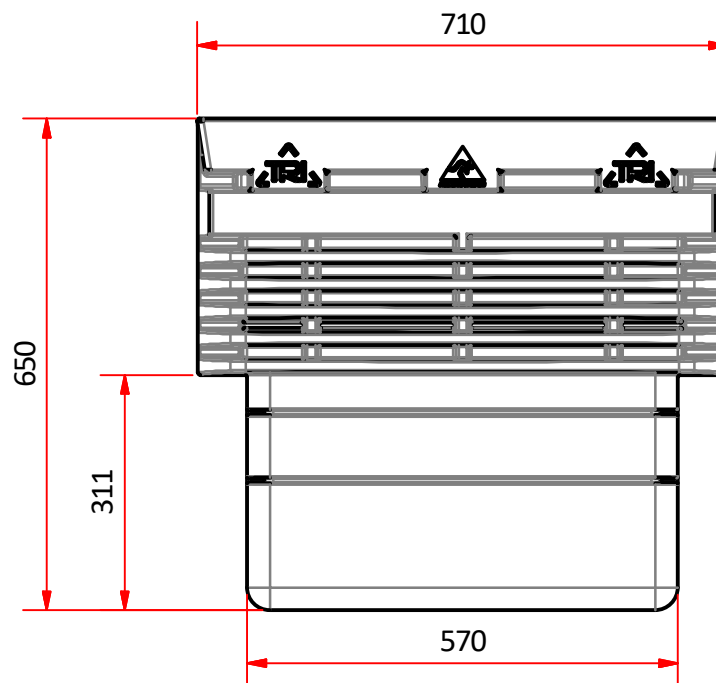


NOTES:

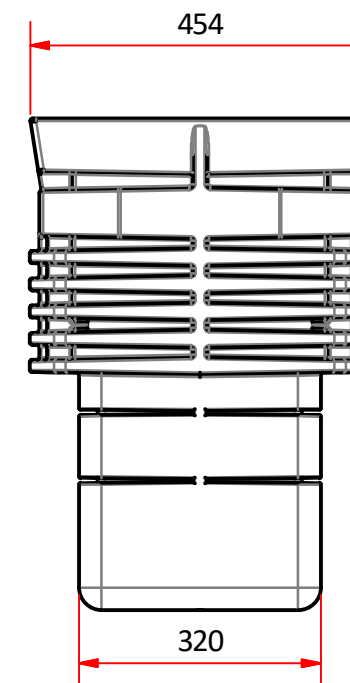
1. MEETS NBN SPECIFICATION
2. INCLUSIVE OF x2 DRAINAGE HOLES IN BOTTOM
3. PIT SUITABLE FOR USE WITH APPLICABLE ELEC, COMMS OR NBN



TOP VIEW (1:10)



FRONT VIEW (1:10)



RH END VIEW (1:10)

General Notes;

1. All dimensions are in mm
2. Tolerance on all dimensions ± 2 mm unless stated otherwise

Copyright: TRI Underground Australia Pty Ltd

This instruction and all the information herein is the property of TRI Underground PTY LTD. It must not be copied, made public or used directly or indirectly, including manufacture of the product shown herein, without written approval. This instruction is loaned subject to these conditions and subject to return on demand.

Commercial in confidence

	Material LDPE	Designed by IMD	Checked by HL	Approved by HA	Date 5/07/2022	Date 22/01/2022
	Weight APPROX. 14 kg	TRI Underground Australia			Title TYPE 5 PIT 710 x 455 x 630	
	Finish OFF MOULD				Dwg No. 10370	Edition A